

# Product data sheet

Specifications



## Modbus SL diagnostic expansion module, Modicon MCM, screw term

XPSMCMCO0000MB

**Product availability : Non-Stock - Not normally stocked in distribution facility**

**Price\* : 646.00 USD**

### Main

Range of Product	Modicon MCM
Product or Component Type	Non-safe communication module
Device short name	XPSMCM
[Us] rated supply voltage	24 V - 20...20 % DC

### Complementary

Power dissipation in W	3 W
Quality labels	CE
Range Compatibility	Preventa XPSMCM
Connector type	RJ45
Number of port	1
Method of access	Server
Transmission rate	1.2 kbit/s 2.4 kbit/s 4.8 kbit/s 9.6 kbit/s 19.2 kbit/s 38.4 kbit/s
Communication port protocol	Modbus serial
Current Consumption	0.125 mA
Maximum cable distance between devices	3280.84 ft (1000 m)
Local signalling	LED green PWR power ON LED green RUN operating LED red E IN internal error LED red E EX external error LED green/red NET connection state LED green/red STS communication status
Connections - terminals	2 captive screw clamp terminals, removable terminal block
Cable cross section	0.00...0.00 in <sup>2</sup> (0.2...1.5 mm <sup>2</sup> ) - AWG 24...AWG 16 flexible without cable end 0.00...0.00 in <sup>2</sup> (0.2...2.5 mm <sup>2</sup> ) - AWG 24...AWG 14 flexible without cable end 0.00...0.00 in <sup>2</sup> (0.25...1 mm <sup>2</sup> ) - AWG 23...AWG 18 flexible with cable end, without bezel 0.00...0.00 in <sup>2</sup> (0.25...2.5 mm <sup>2</sup> ) - AWG 23...AWG 14 flexible with cable end, with bezel 0.00...0.00 in <sup>2</sup> (0.25...2.5 mm <sup>2</sup> ) - AWG 23...AWG 14 flexible with cable end, without bezel 0.00...0.00 in <sup>2</sup> (0.5...1.5 mm <sup>2</sup> ) - AWG 20...AWG 16 flexible with cable end, with double bezel 0.00...0.00 in <sup>2</sup> (0.2...1 mm <sup>2</sup> ) - AWG 24...AWG 18 solid without cable end 0.00...0.00 in <sup>2</sup> (0.2...2.5 mm <sup>2</sup> ) - AWG 24...AWG 14 solid without cable end
Mounting support	Omega 35 mm DIN rail EN 50022

\* Price is "List Price" and may be subject to a trade discount – check with your local distributor or retailer for actual price.

<b>Width</b>	0.89 in (22.5 mm)
<b>Height</b>	3.90 in (99 mm)
<b>Depth</b>	4.51 in (114.5 mm)
<b>Net Weight</b>	0.66 lb(US) (0.3 kg)

## Environment

<b>Product certifications</b>	cULus RCM TÜV
<b>IP Degree of Protection</b>	IP20
<b>Ambient Air Temperature for Operation</b>	14...131 °F (-10...55 °C)
<b>Ambient Air Temperature for Storage</b>	-4...185 °F (-20...85 °C)
<b>Relative humidity</b>	10...95 %
<b>Pollution degree</b>	2
<b>Insulation</b>	250 V AC between power supply and housing EN/IEC 61800-5-1
<b>Overvoltage category</b>	II
<b>Electromagnetic compatibility</b>	Electrostatic discharge immunity test 6 kV on contact) EN/IEC 61000-4-2 Electrostatic discharge immunity test 20 kV on air) EN/IEC 61000-4-2 Susceptibility to electromagnetic fields 10 V/m 80...1000 MHz) EN/IEC 61000-4-3 Susceptibility to electromagnetic fields 30 V/m 1.4 GHz...2 GHz) EN/IEC 61000-4-3
<b>Vibration resistance</b>	+/-0.35 mm 10...55 Hz)EN/IEC 61496-1
<b>Shock resistance</b>	10 gn 16 ms) 1000 shocks on each axis EN/IEC 61496-1
<b>Operating altitude</b>	6561.68 ft (2000 m)
<b>Service Life</b>	20 year(s)

## Ordering and shipping details

<b>Category</b>	22477 - SAFETY MODULES (PREVENTA)
<b>Discount Schedule</b>	SAF2
<b>GTIN</b>	3606480748462
<b>Nbr. of units in pkg.</b>	1
<b>Package weight(Lbs)</b>	7.34 oz (208.0 g)
<b>Returnability</b>	No
<b>Country of origin</b>	IT

## Packing Units

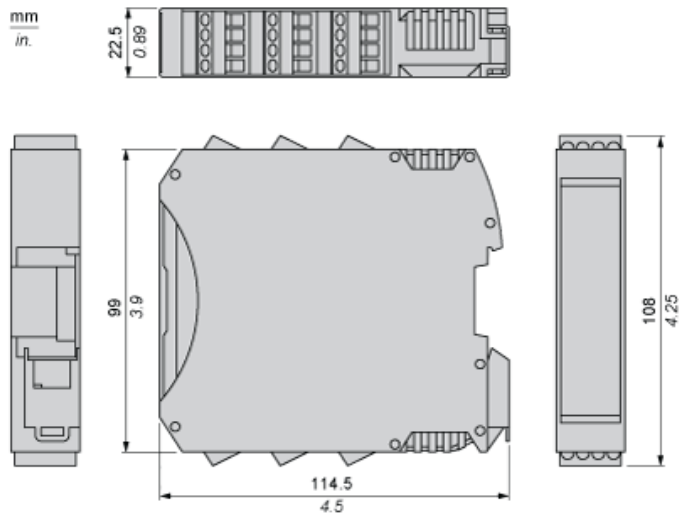
<b>Unit Type of Package 1</b>	PCE
<b>Package 1 Height</b>	1.77 in (4.5 cm)
<b>Package 1 width</b>	5.04 in (12.8 cm)
<b>Package 1 Length</b>	6.38 in (16.2 cm)
<b>Unit Type of Package 2</b>	S01
<b>Number of Units in Package 2</b>	6
<b>Package 2 Weight</b>	3.29 lb(US) (1.491 kg)
<b>Package 2 Height</b>	5.91 in (15 cm)
<b>Package 2 width</b>	5.91 in (15 cm)
<b>Package 2 Length</b>	15.75 in (40 cm)

## Offer Sustainability

<b>Sustainable offer status</b>	Green Premium product
<b>California proposition 65</b>	WARNING: This product can expose you to chemicals including: Lead and lead compounds, which is known to the State of California to cause cancer and birth defects or other reproductive harm. For more information go to <a href="http://www.P65Warnings.ca.gov">www.P65Warnings.ca.gov</a>
<b>REACH Regulation</b>	<a href="#">REACH Declaration</a>
<b>REACH free of SVHC</b>	Yes
<b>EU RoHS Directive</b>	Pro-active compliance (Product out of EU RoHS legal scope) <a href="#">EU RoHS Declaration</a>
<b>Mercury free</b>	Yes
<b>RoHS exemption information</b>	<a href="#">Yes</a>
<b>China RoHS Regulation</b>	<a href="#">China RoHS declaration</a>
<b>Environmental Disclosure</b>	<a href="#">Product Environmental Profile</a>
<b>Circularity Profile</b>	<a href="#">End of Life Information</a>
<b>WEEE</b>	The product must be disposed on European Union markets following specific waste collection and never end up in rubbish bins.
<b>PVC free</b>	Yes

Dimensions

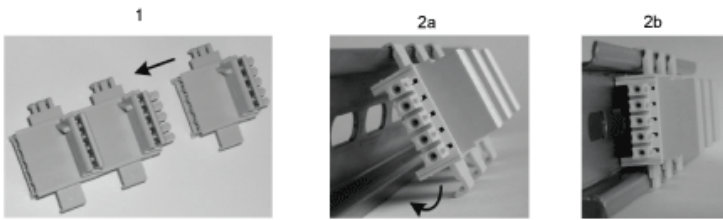
Screw Terminal



**Mounting Safety Controller CPU with Module(s)**

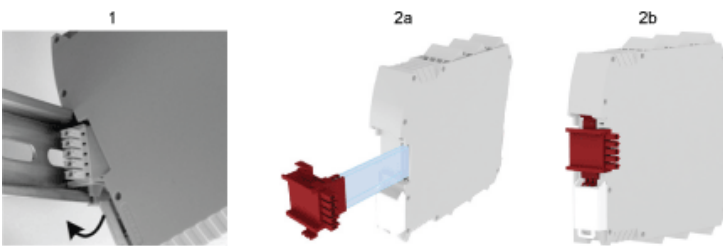
---

**Mount BackPlane Connector on Rail**



- 1 : Connect as much Backplane Connector as module to be install.
- 2 : Fix the connectors to the rail (Top first).

**Mount Safety Controller CPU with Other Module(s)**



- 1 : Mount controller CPU and modules on rail.
- 2 : Make sure that the controller CPU or the module(s) are plugged on the BackPlane connector.

**Connection & Schema**

---

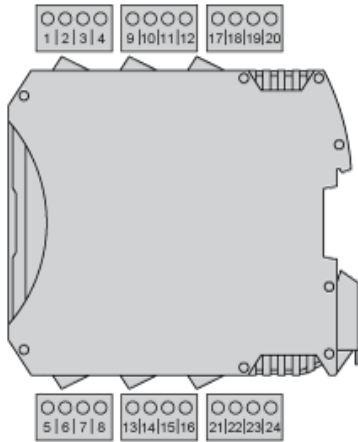
**Modbus Serial Connector**



Description	MBS (Modbus Serial) standard communication device
Wiring	PIN/Signal/ Description 1/ not connected 2/ not connected 3/ not connected 4/ D1 5/ D0 6/ not connected 7/ VP (+5 Vdc) 8/ Common
Data sets	Input status, input diagnostics, fieldbus input status, probe status, safety output status, safety output diagnostics

**Wiring**

**Terminal Designation**



Terminal	Signal	Description
1	24 VDC	24 Vdc power supply
2	–	Not connected
3		
4	0 VDC	
5	–	Not connected
6		
7		
8		

**Wiring Example**

